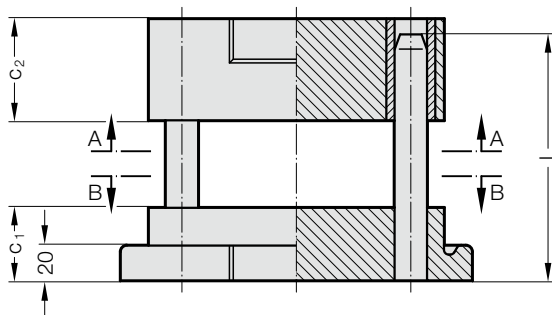
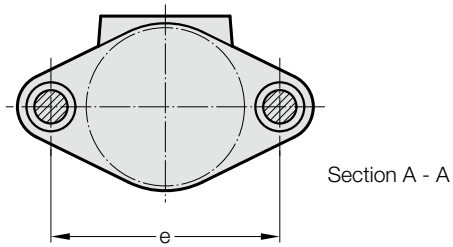
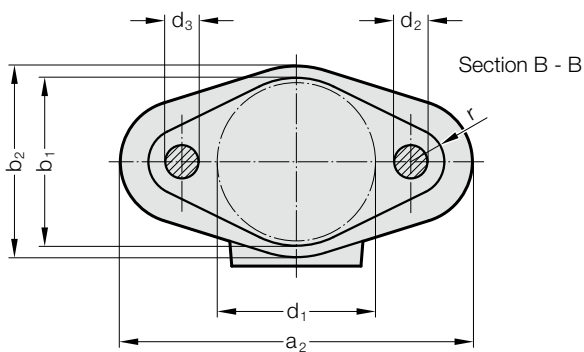
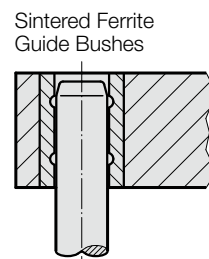


# DIE SET ~DIN 9816 SHAPE D

201.07.



Guide Elements



## 201.07. Die set ~DIN 9816 Shape D

Order No part 1*	Work area										
	d <sub>1</sub>	a <sub>2</sub>	b <sub>1</sub>	b <sub>2</sub>	c <sub>1</sub>	c <sub>2</sub>	d <sub>2</sub>	d <sub>3</sub>	e	l	r
201.07.040.030.□□	40	112	45	55	36	40	16	15	66	100 - 355	13
201.07.063.030.□□	63	142	68	78	40	55	16	15	90	125 - 355	14

\*Order number part 2 = add guide pillar type/length  
 □□ Order example, see beginning of chapter A cast pillar frames